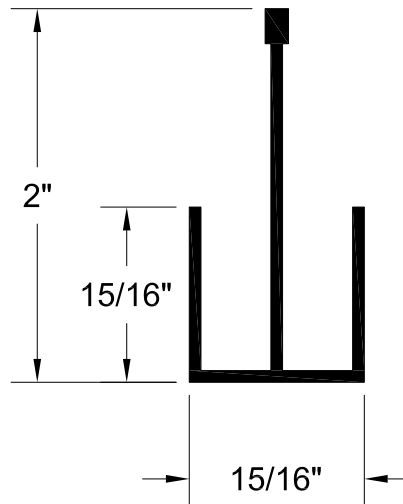
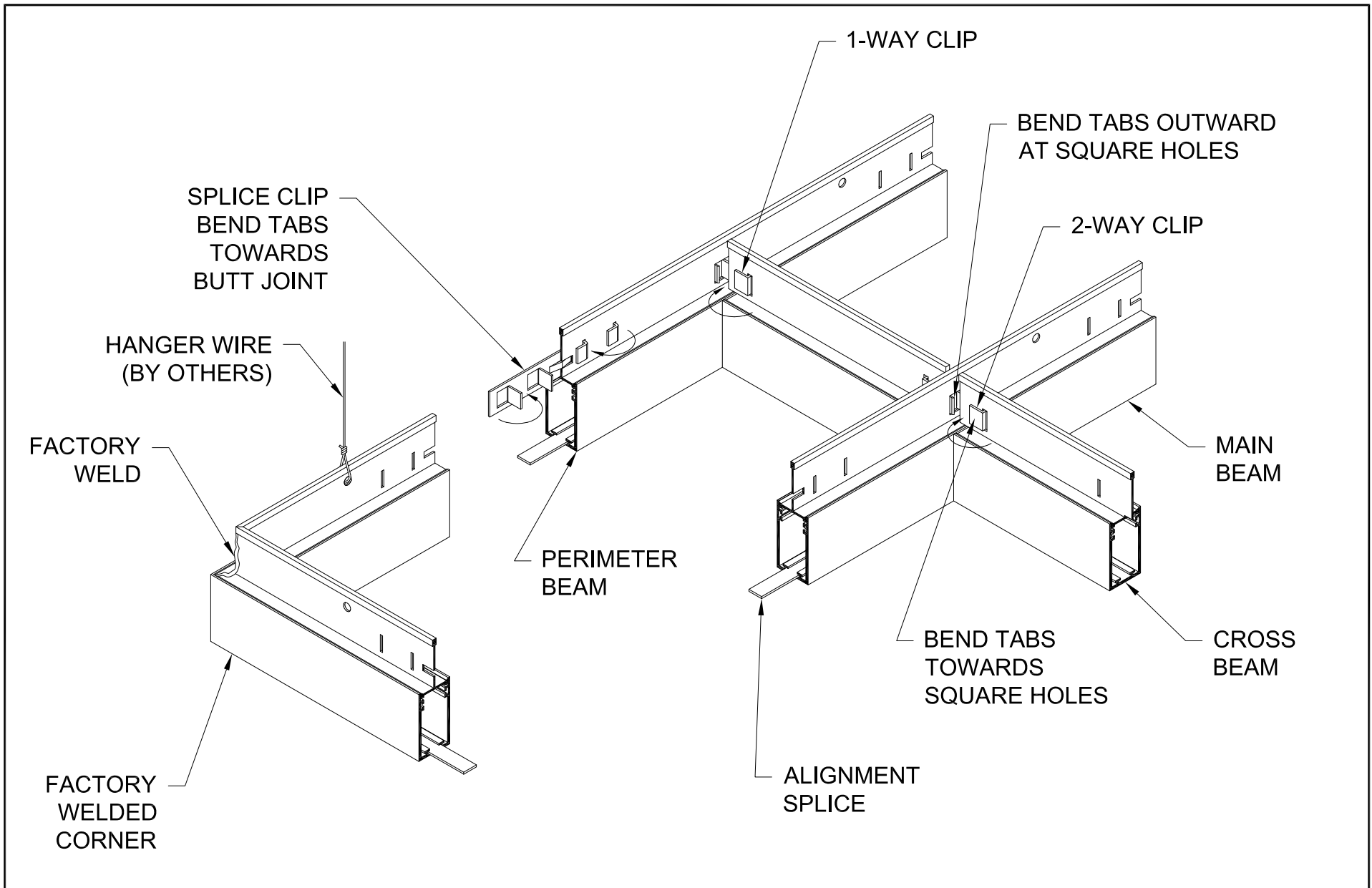


**GORDON**<sup>®</sup>  
ARCHITECTURAL+ENGINEERED SOLUTIONS

5023 Hazel Jones Rd.  
Bossier City, LA 71111  
800.747.8954  
GORDON-INC.COM  
sales@gordon-inc.com

CEILING  
OPEN CELL - BEAM MATE - EXTRUDED  
ISOMETRIC ASSEMBLY BM-11

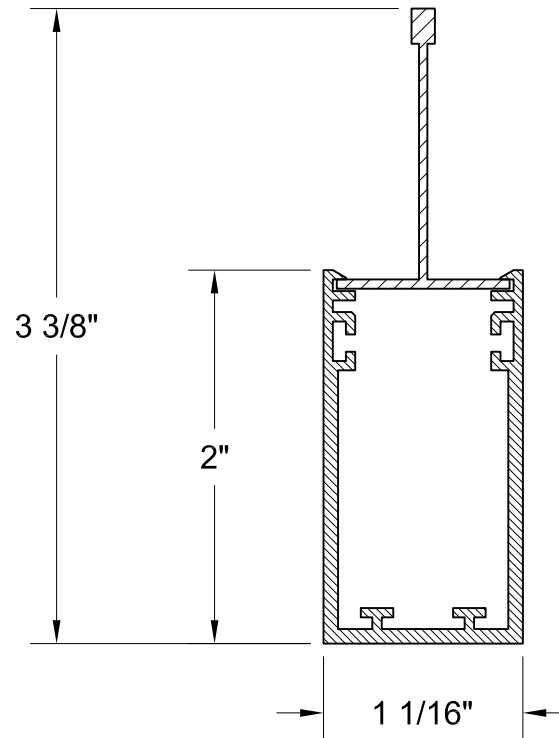




**GORDON**<sup>®</sup>  
ARCHITECTURAL+ENGINEERED SOLUTIONS

5023 Hazel Jones Rd.  
Bossier City, LA 71111  
800.747.8954  
GORDON-INC.COM  
sales@gordon-inc.com

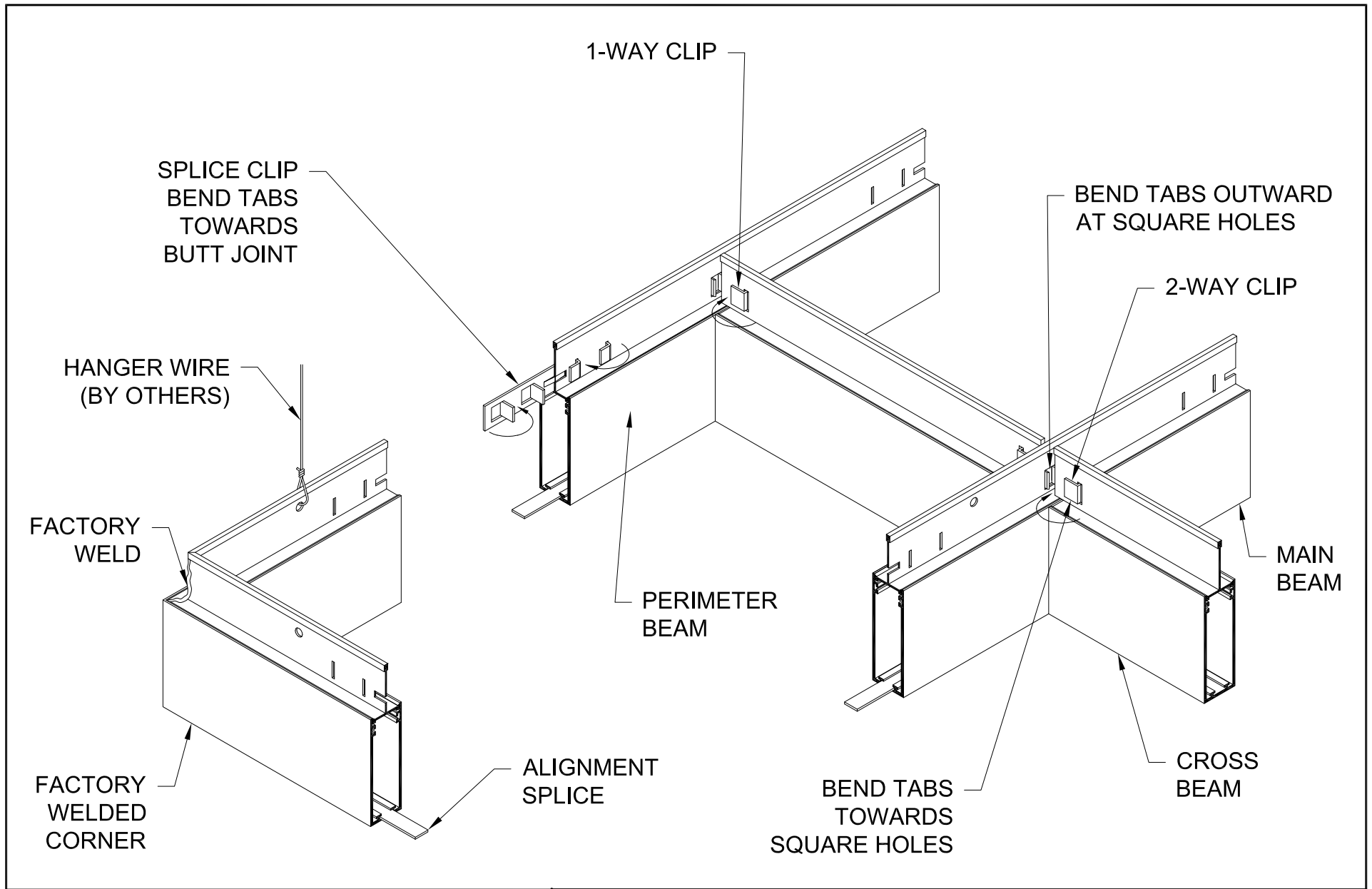
**CEILING**  
**OPEN CELL - BEAM MATE - EXTRUDED**  
**ISOMETRIC ASSEMBLY BM-12**



**GORDON**®  
ARCHITECTURAL+ENGINEERED SOLUTIONS

5023 Hazel Jones Rd.  
Bossier City, LA 71111  
800.747.8954  
GORDON-INC.COM  
sales@gordon-inc.com

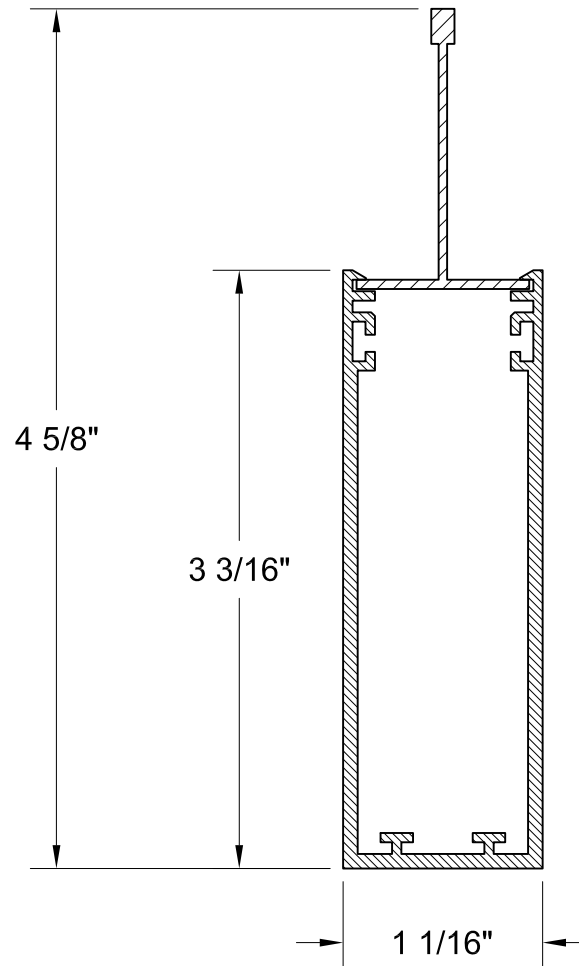
CEILINGS  
OPEN CELL - BEAM MATE - EXTRUDED  
PROFILE BM-12



**GORDON**<sup>®</sup>  
ARCHITECTURAL+ENGINEERED SOLUTIONS

5023 Hazel Jones Rd.  
Bossier City, LA 71111  
800.747.8954  
GORDON-INC.COM  
sales@gordon-inc.com

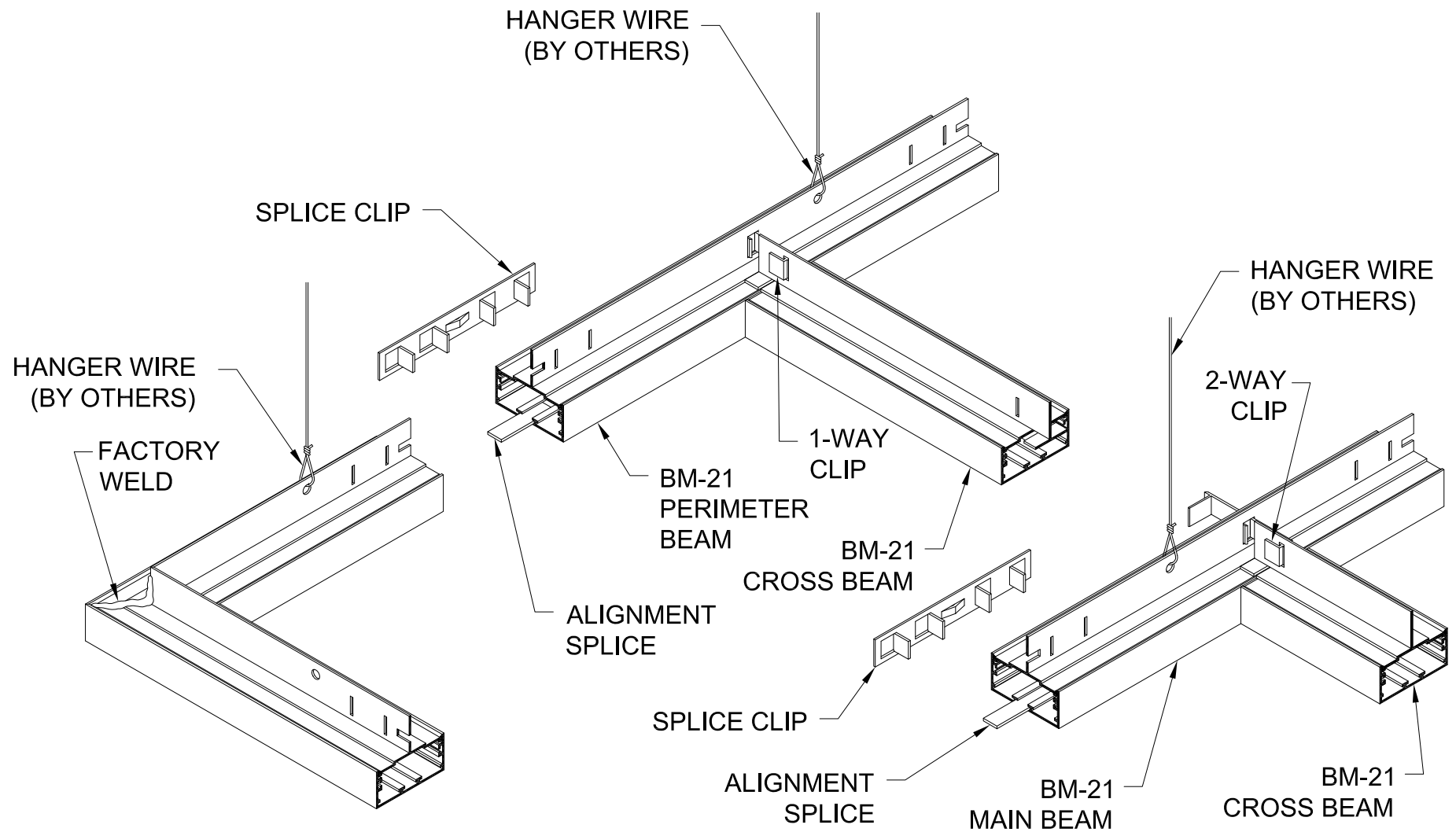
**CEILING**  
**OPEN CELL - BEAM MATE - EXTRUDED**  
**ISOMETRIC ASSEMBLY BM-13**



**GORDON**<sup>®</sup>  
ARCHITECTURAL+ENGINEERED SOLUTIONS

5023 Hazel Jones Rd.  
Bossier City, LA 71111  
800.747.8954  
GORDON-INC.COM  
sales@gordon-inc.com

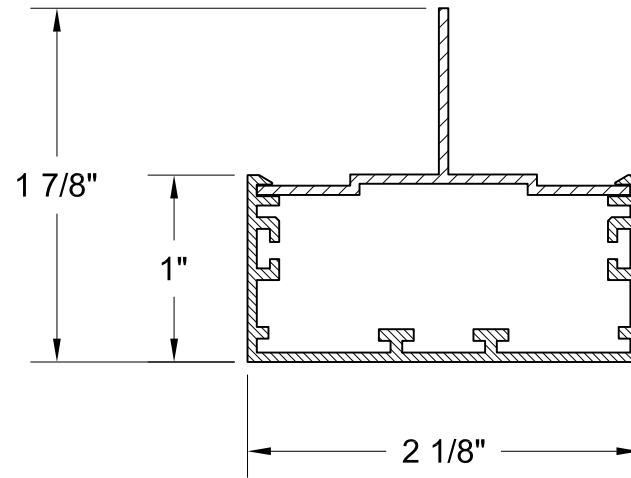
CEILINGS  
OPEN CELL - BEAM MATE - EXTRUDED  
PROFILE BM-13



**GORDON**<sup>®</sup>  
 ARCHITECTURAL+ENGINEERED SOLUTIONS

5023 Hazel Jones Rd.  
 Bossier City, LA 71111  
 800.747.8954  
 GORDON-INC.COM  
 sales@gordon-inc.com

**CEILING**  
**OPEN CELL - BEAM MATE - EXTRUDED**  
**ISOMETRIC ASSEMBLY BM-21**

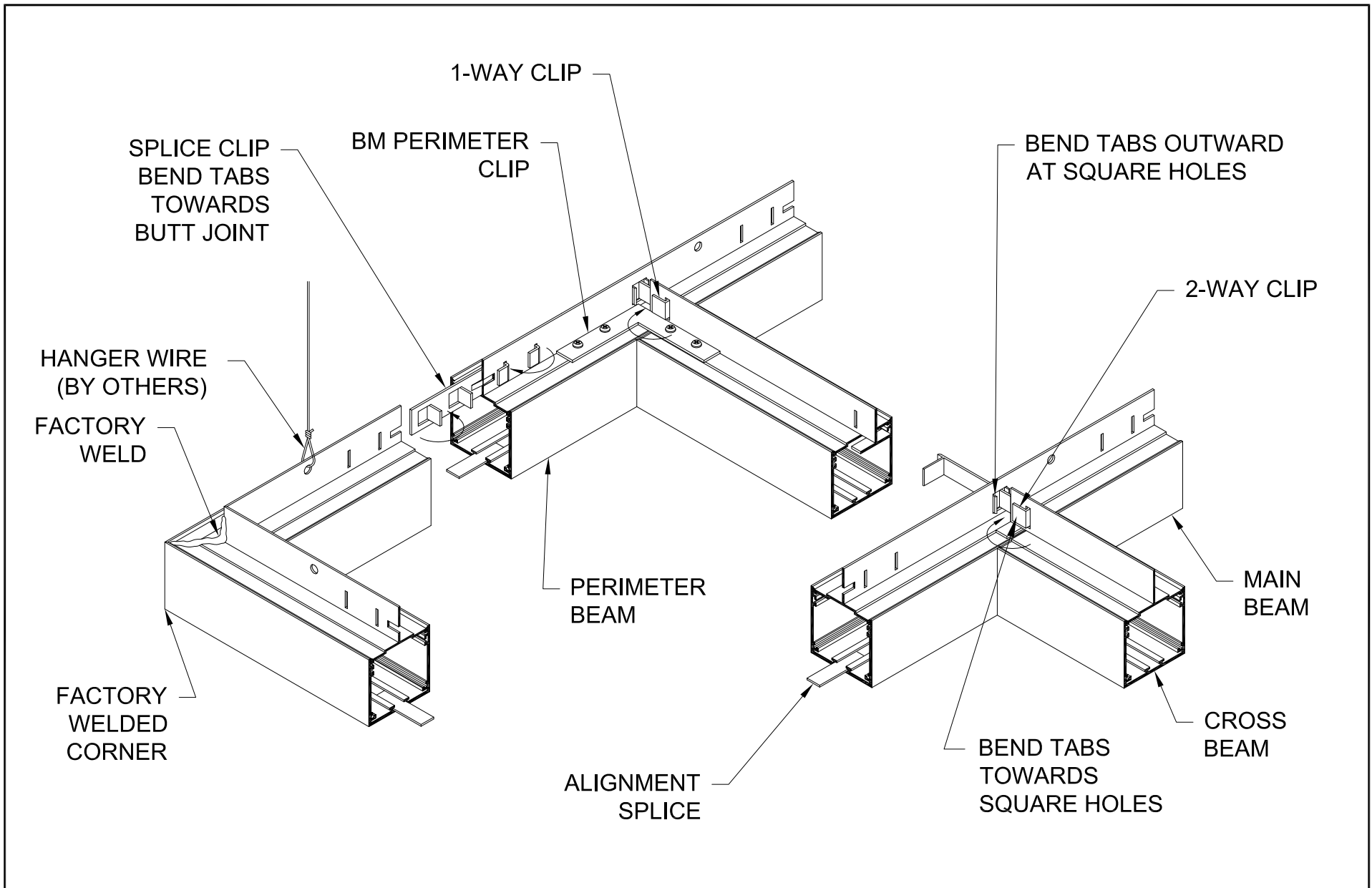


**GORDON**®  
ARCHITECTURAL+ENGINEERED SOLUTIONS

5023 Hazel Jones Rd.  
Bossier City, LA 71111  
800.747.8954  
GORDON-INC.COM  
sales@gordon-inc.com

CEILINGS  
OPEN CELL - BEAM MATE - EXTRUDED  
PROFILE BM-21

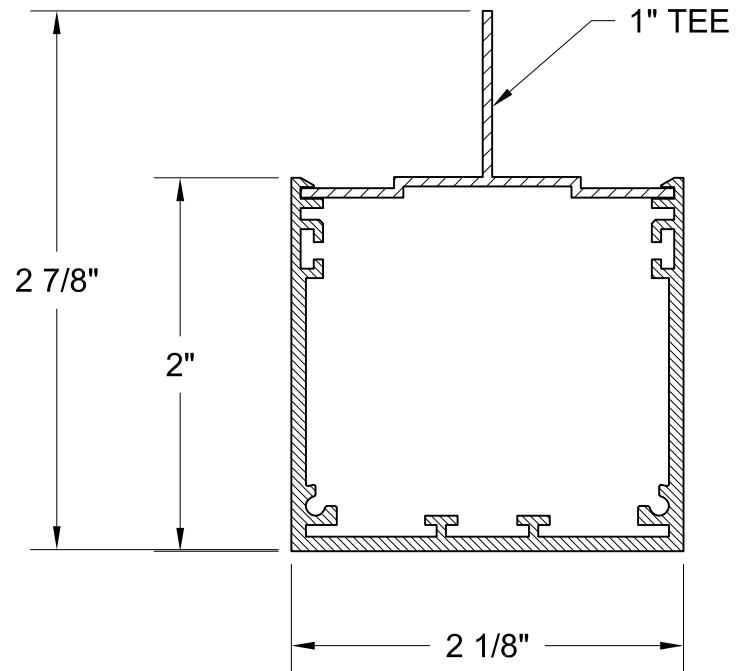


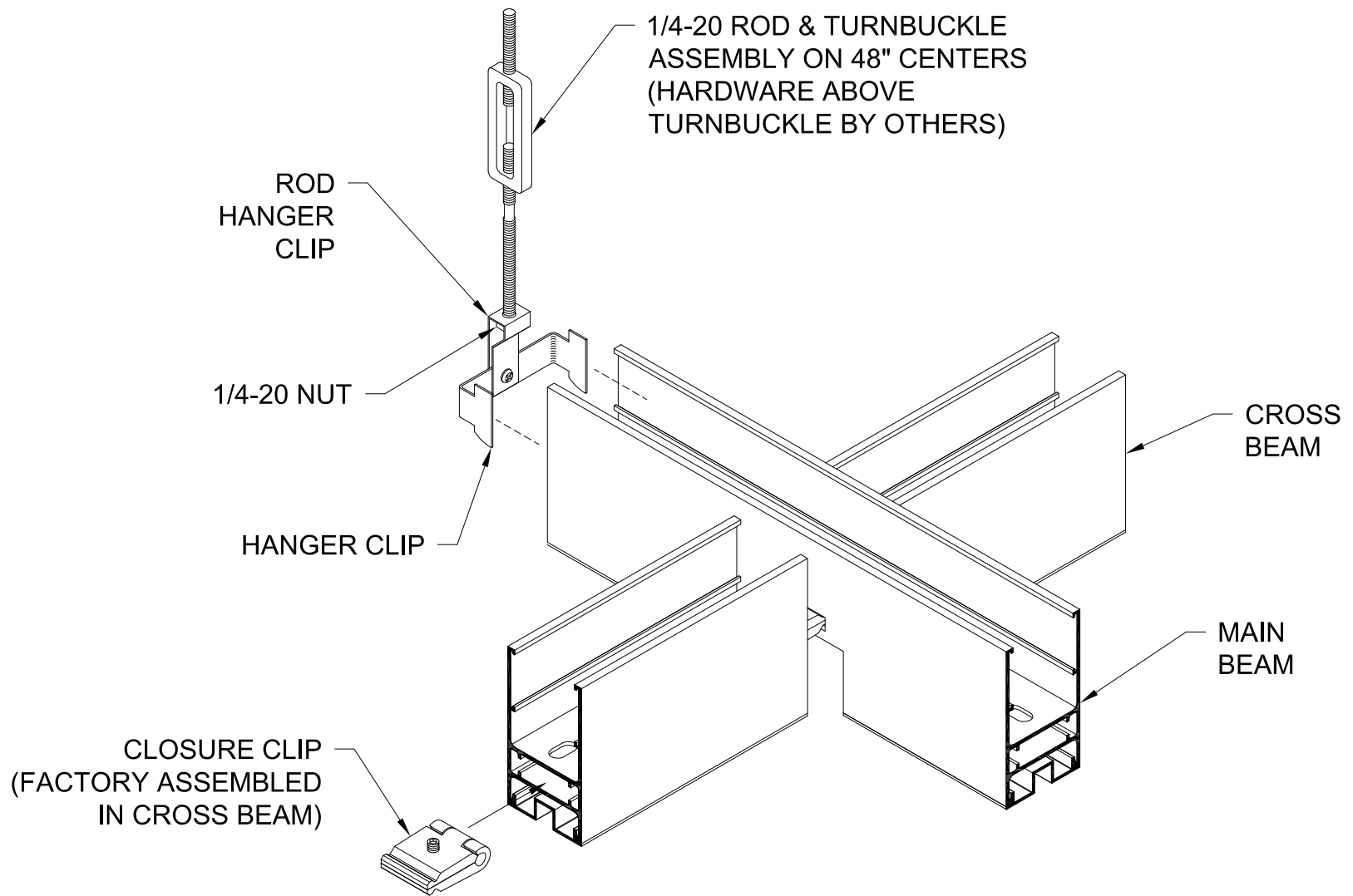


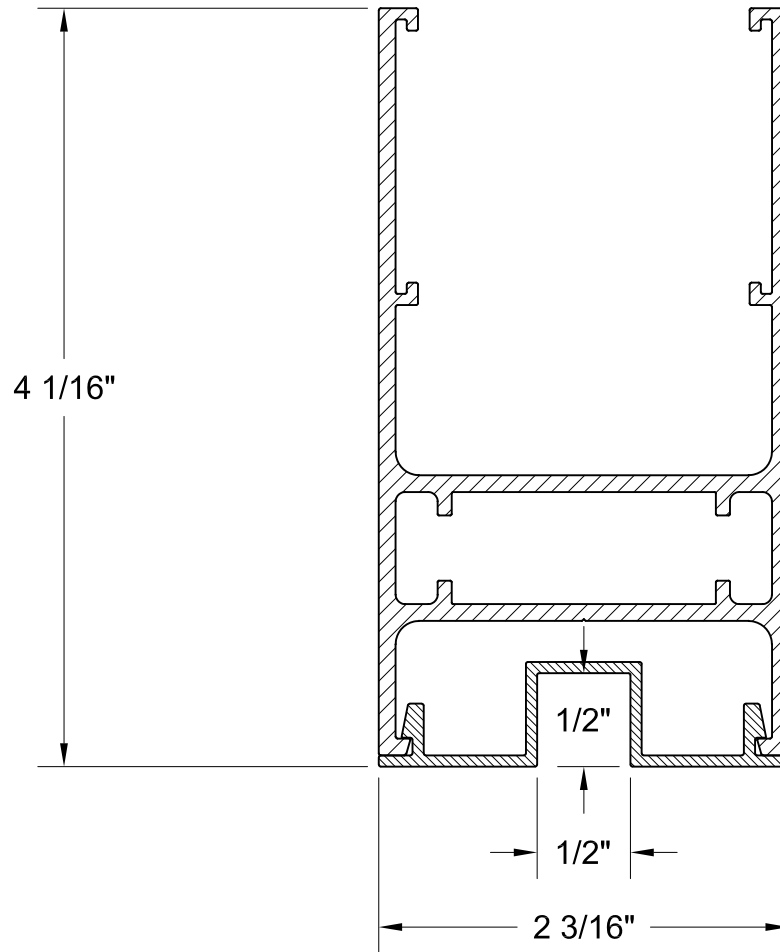
**GORDON**<sup>®</sup>  
ARCHITECTURAL+ENGINEERED SOLUTIONS

5023 Hazel Jones Rd.  
Bossier City, LA 71111  
800.747.8954  
GORDON-INC.COM  
sales@gordon-inc.com

**CEILING**  
**OPEN CELL - BEAM MATE - EXTRUDED**  
**ISOMETRIC ASSEMBLY BM-22**



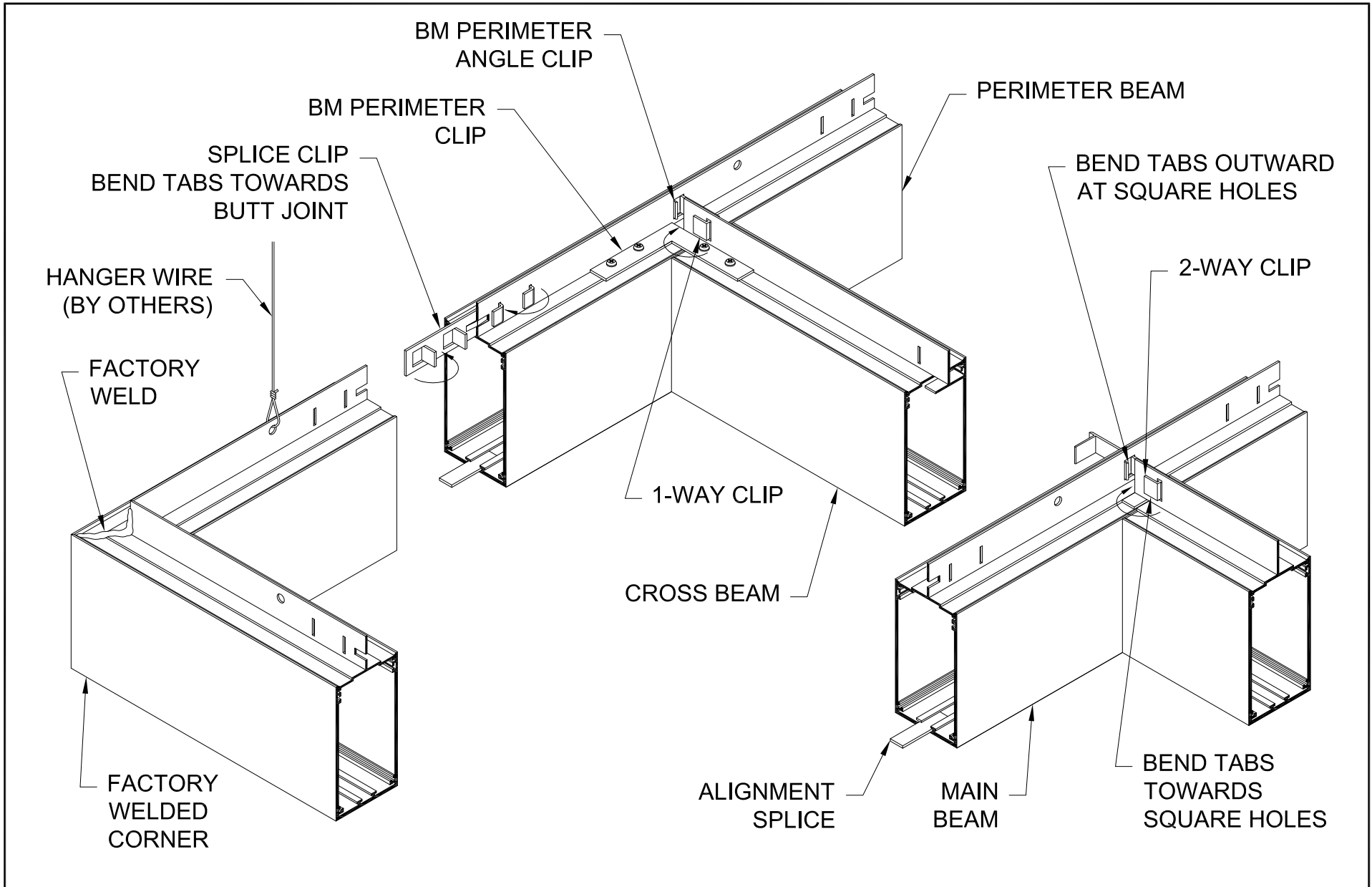




**GORDON**<sup>®</sup>  
ARCHITECTURAL+ENGINEERED SOLUTIONS

5023 Hazel Jones Rd.  
Bossier City, LA 71111  
800.747.8954  
GORDON-INC.COM  
sales@gordon-inc.com

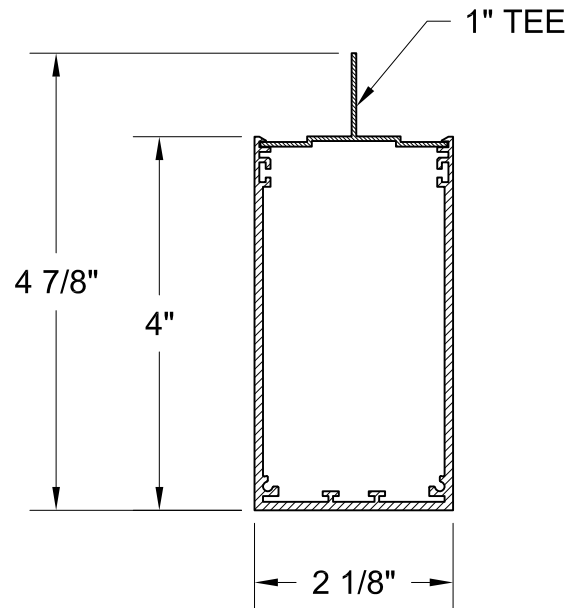
CEILINGS  
OPEN CELL - BEAM MATE - EXTRUDED  
PROFILE BM-2X4



**GORDON**<sup>®</sup>  
 ARCHITECTURAL+ENGINEERED SOLUTIONS

5023 Hazel Jones Rd.  
 Bossier City, LA 71111  
 800.747.8954  
 GORDON-INC.COM  
 sales@gordon-inc.com

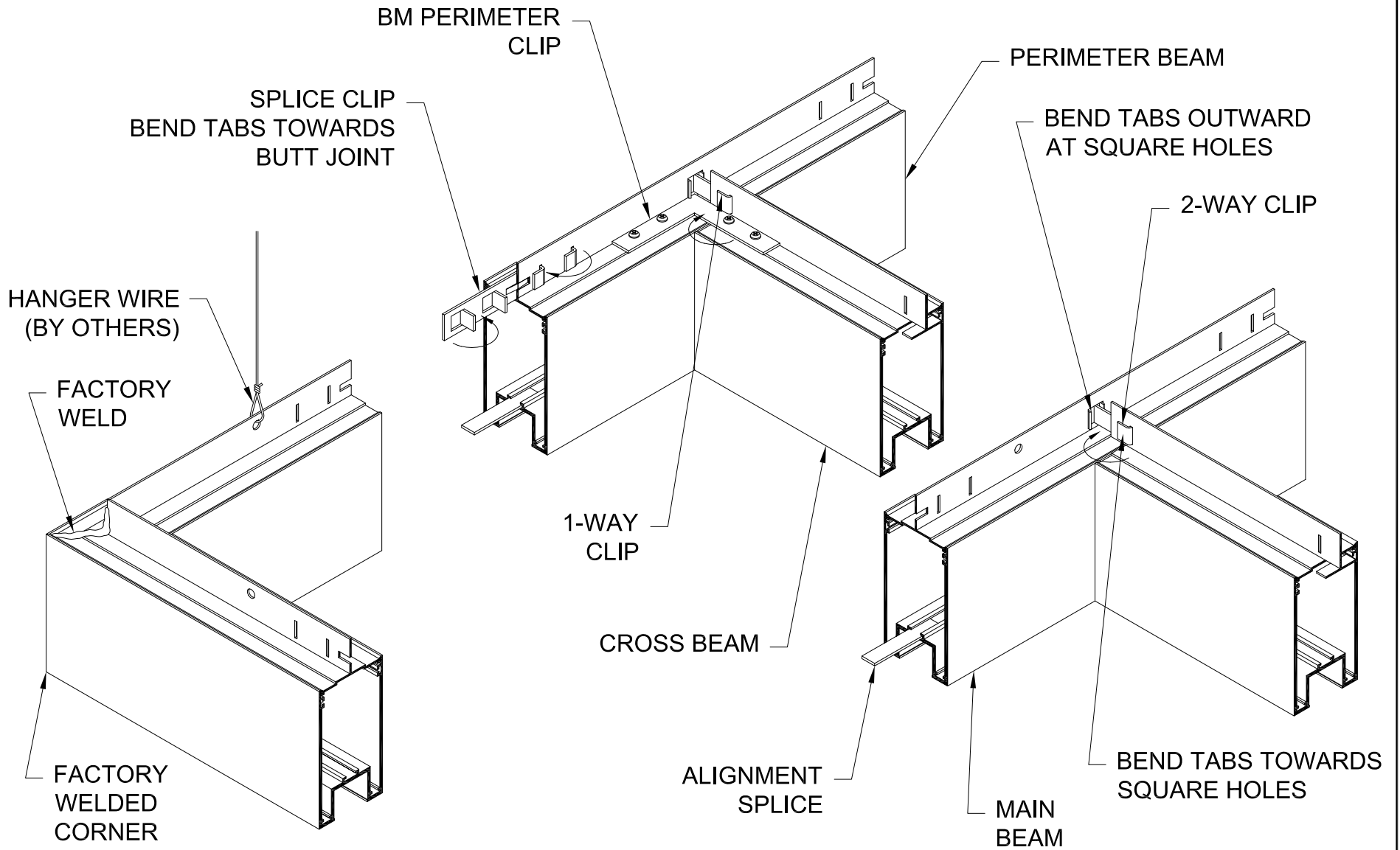
**CEILING**  
**OPEN CELL - BEAM MATE - EXTRUDED**  
**ISOMETRIC ASSEMBLY BM-24**



**GORDON**®  
ARCHITECTURAL+ENGINEERED SOLUTIONS

5023 Hazel Jones Rd.  
Bossier City, LA 71111  
800.747.8954  
GORDON-INC.COM  
sales@gordon-inc.com

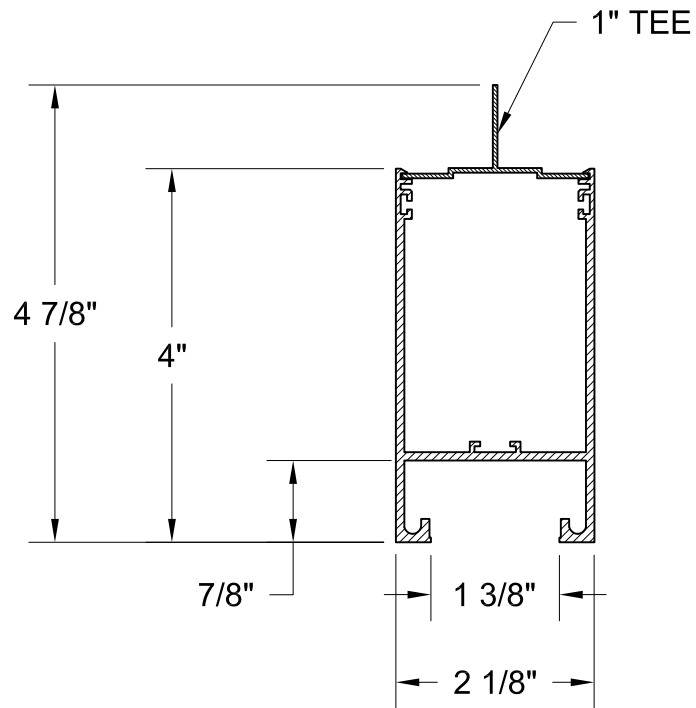
CEILING  
OPEN CELL - BEAM MATE - EXTRUDED  
PROFILE BM-24



**GORDON**<sup>®</sup>  
 ARCHITECTURAL+ENGINEERED SOLUTIONS

5023 Hazel Jones Rd.  
 Bossier City, LA 71111  
 800.747.8954  
 GORDON-INC.COM  
 sales@gordon-inc.com

**CEILING**  
**OPEN CELL - BEAM MATE - EXTRUDED**  
**ISOMETRIC ASSEMBLY BM-24R**

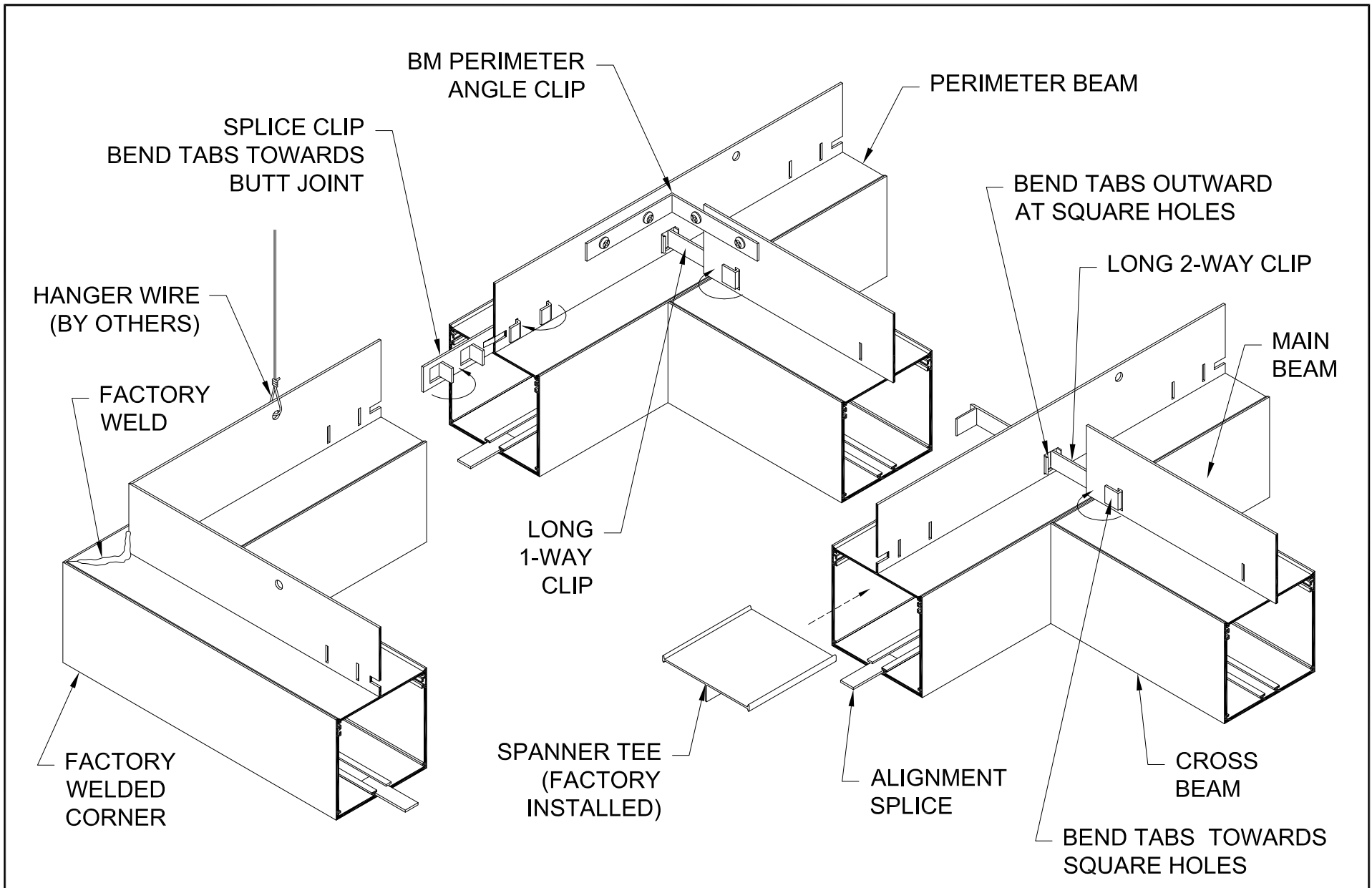


**GORDON**®  
ARCHITECTURAL+ENGINEERED SOLUTIONS

5023 Hazel Jones Rd.  
Bossier City, LA 71111  
800.747.8954  
GORDON-INC.COM  
sales@gordon-inc.com

CEILING  
OPEN CELL - BEAM MATE - EXTRUDED  
PROFILE BM-24XR

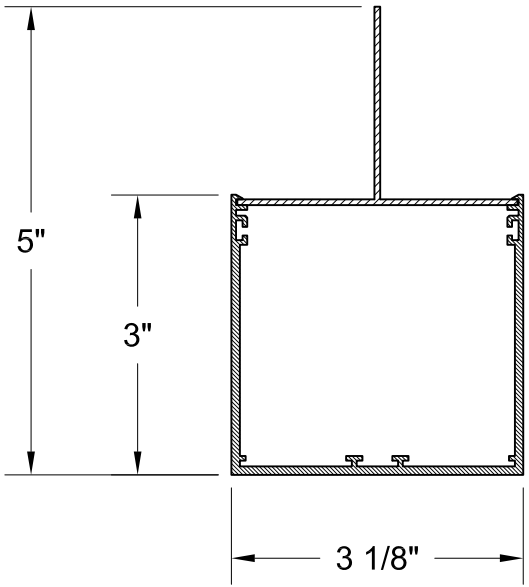




**GORDON**<sup>®</sup>  
 ARCHITECTURAL+ENGINEERED SOLUTIONS

5023 Hazel Jones Rd.  
 Bossier City, LA 71111  
 800.747.8954  
 GORDON-INC.COM  
 sales@gordon-inc.com

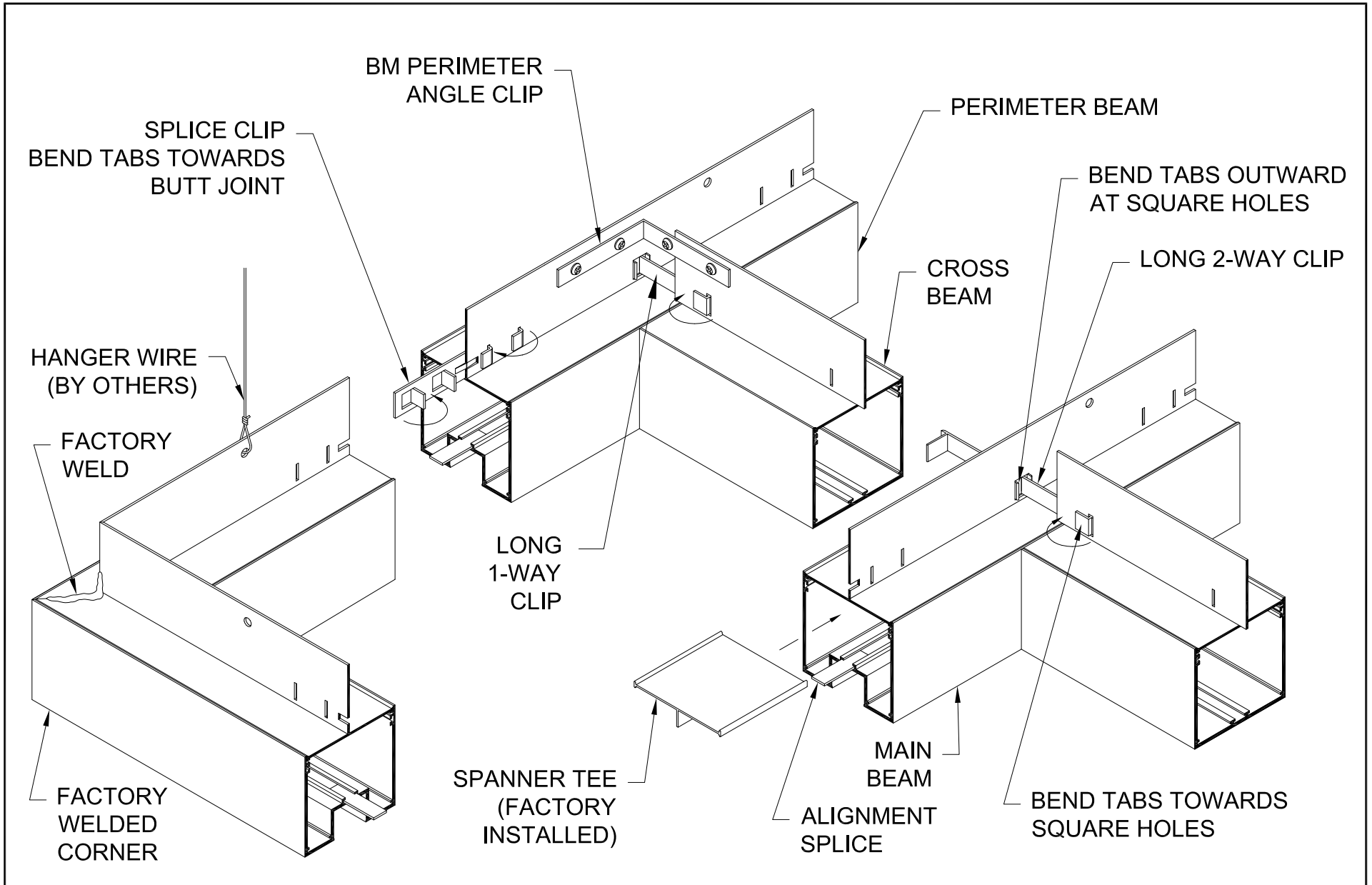
**CEILING**  
**OPEN CELL - BEAM MATE - EXTRUDED**  
**ISOMETRIC ASSEMBLY BM-33**



**GORDON**®  
ARCHITECTURAL+ENGINEERED SOLUTIONS

5023 Hazel Jones Rd.  
Bossier City, LA 71111  
800.747.8954  
GORDON-INC.COM  
sales@gordon-inc.com

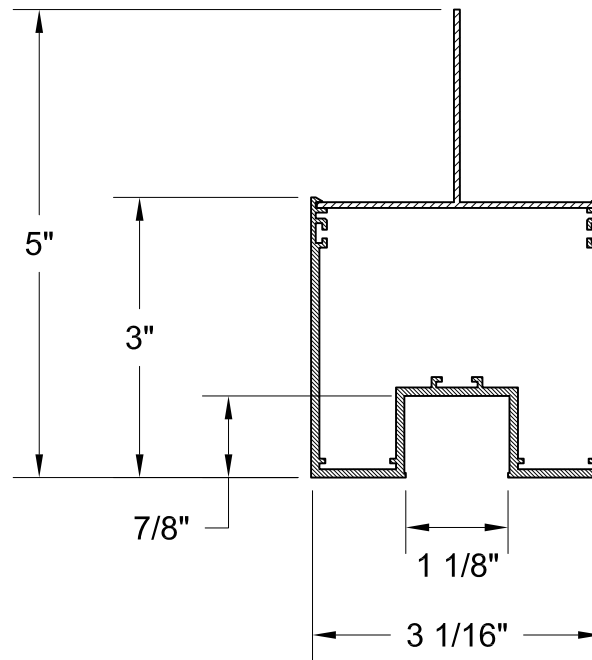
CEILINGS  
OPEN CELL - BEAM MATE - EXTRUDED  
PROFILE BM-33



**GORDON**<sup>®</sup>  
 ARCHITECTURAL+ENGINEERED SOLUTIONS

5023 Hazel Jones Rd.  
 Bossier City, LA 71111  
 800.747.8954  
 GORDON-INC.COM  
 sales@gordon-inc.com

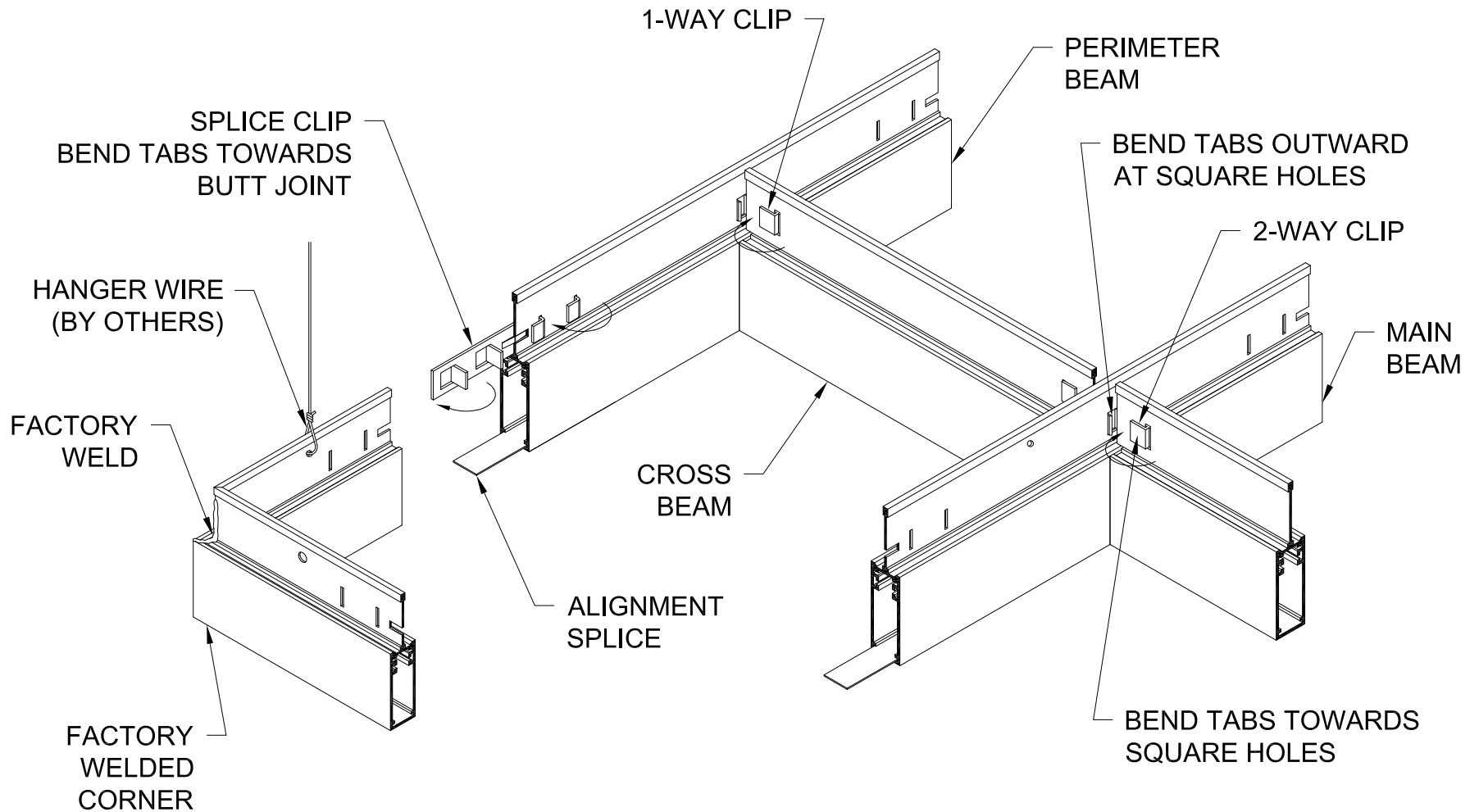
**CEILING**  
**OPEN CELL - BEAM MATE - EXTRUDED**  
**ISOMETRIC ASSEMBLY BM-33R**



**GORDON**®  
ARCHITECTURAL+ENGINEERED SOLUTIONS

5023 Hazel Jones Rd.  
Bossier City, LA 71111  
800.747.8954  
GORDON-INC.COM  
sales@gordon-inc.com

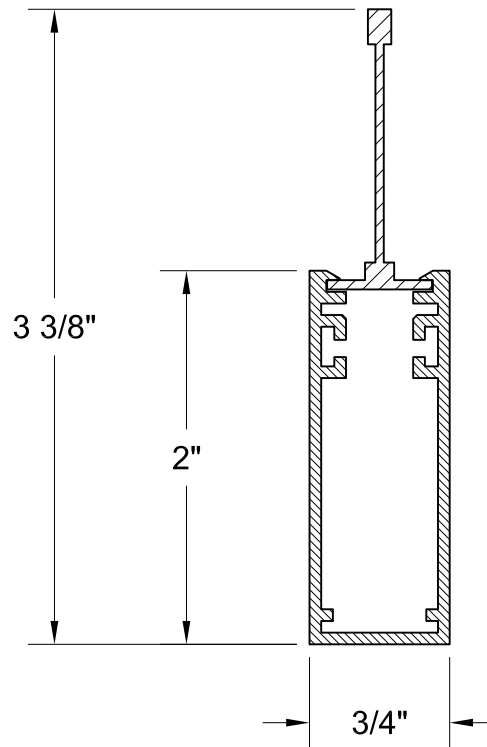
CEILING  
OPEN CELL - BEAM MATE - EXTRUDED  
PROFILE BM-33R



**GORDON**®  
ARCHITECTURAL+ENGINEERED SOLUTIONS

5023 Hazel Jones Rd.  
Bossier City, LA 71111  
800.747.8954  
GORDON-INC.COM  
sales@gordon-inc.com

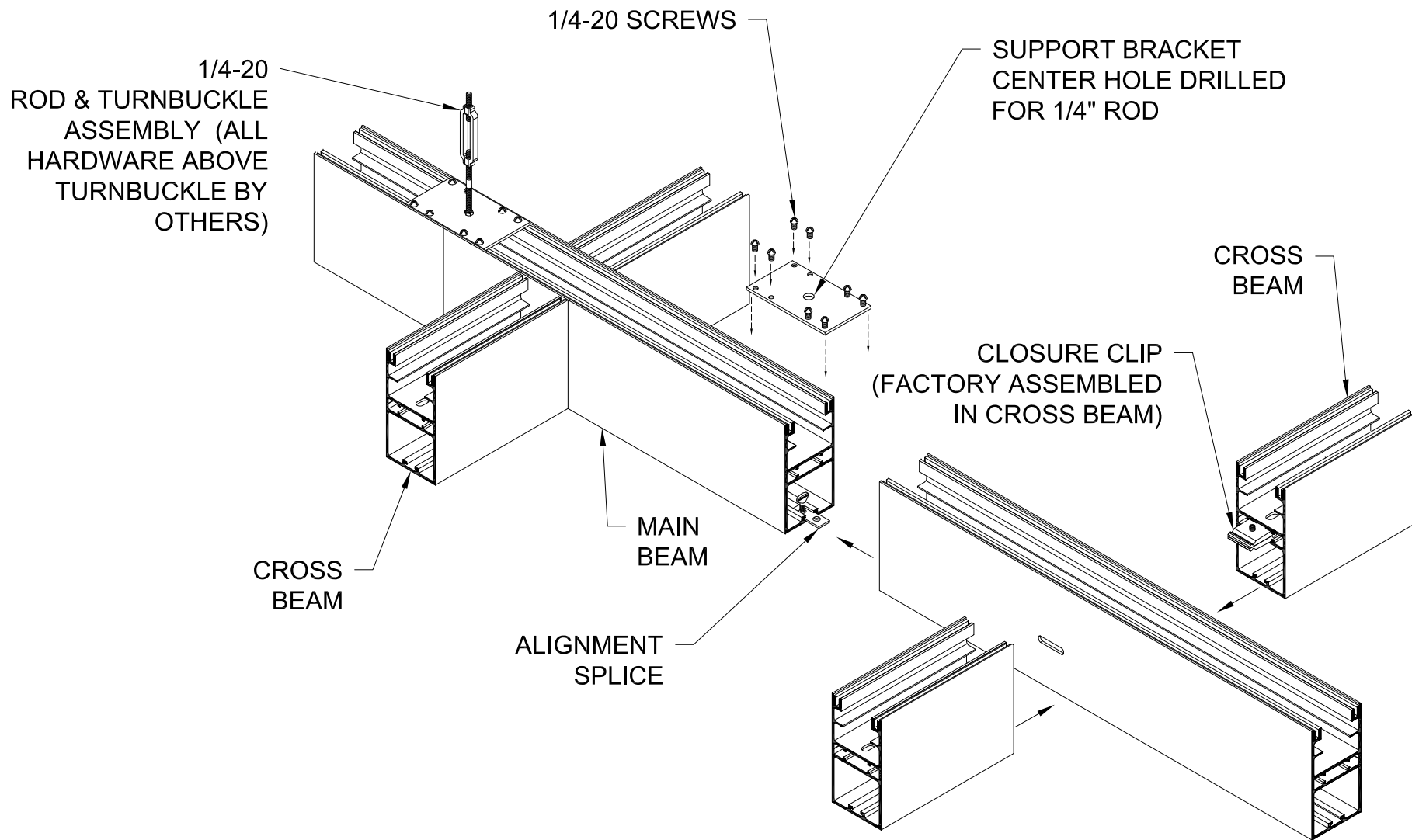
**CEILING**  
**OPEN CELL - BEAM MATE - EXTRUDED**  
**ISOMETRIC ASSEMBLY BM-342**



**GORDON**<sup>®</sup>  
ARCHITECTURAL+ENGINEERED SOLUTIONS

5023 Hazel Jones Rd.  
Bossier City, LA 71111  
800.747.8954  
GORDON-INC.COM  
sales@gordon-inc.com

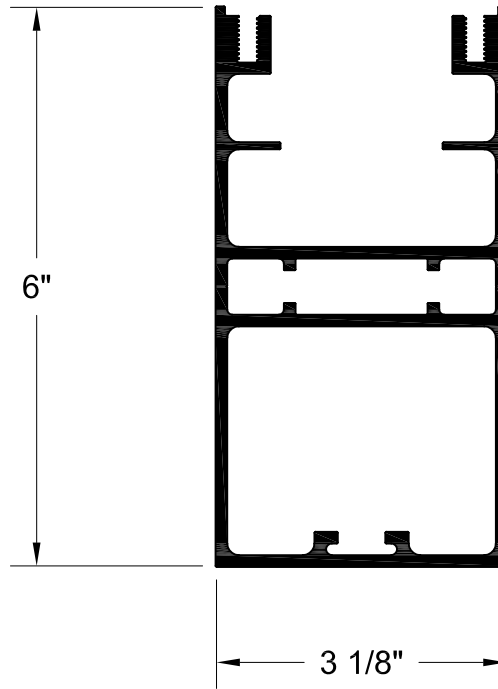
CEILING  
OPEN CELL - BEAM MATE - EXTRUDED  
PROFILE BM-342



**GORDON**<sup>®</sup>  
ARCHITECTURAL+ENGINEERED SOLUTIONS

5023 Hazel Jones Rd.  
Bossier City, LA 71111  
800.747.8954  
GORDON-INC.COM  
sales@gordon-inc.com

**CEILING**  
**OPEN CELL - BEAM MATE - EXTRUDED**  
**ISOMETRIC ASSEMBLY BM-3X6**

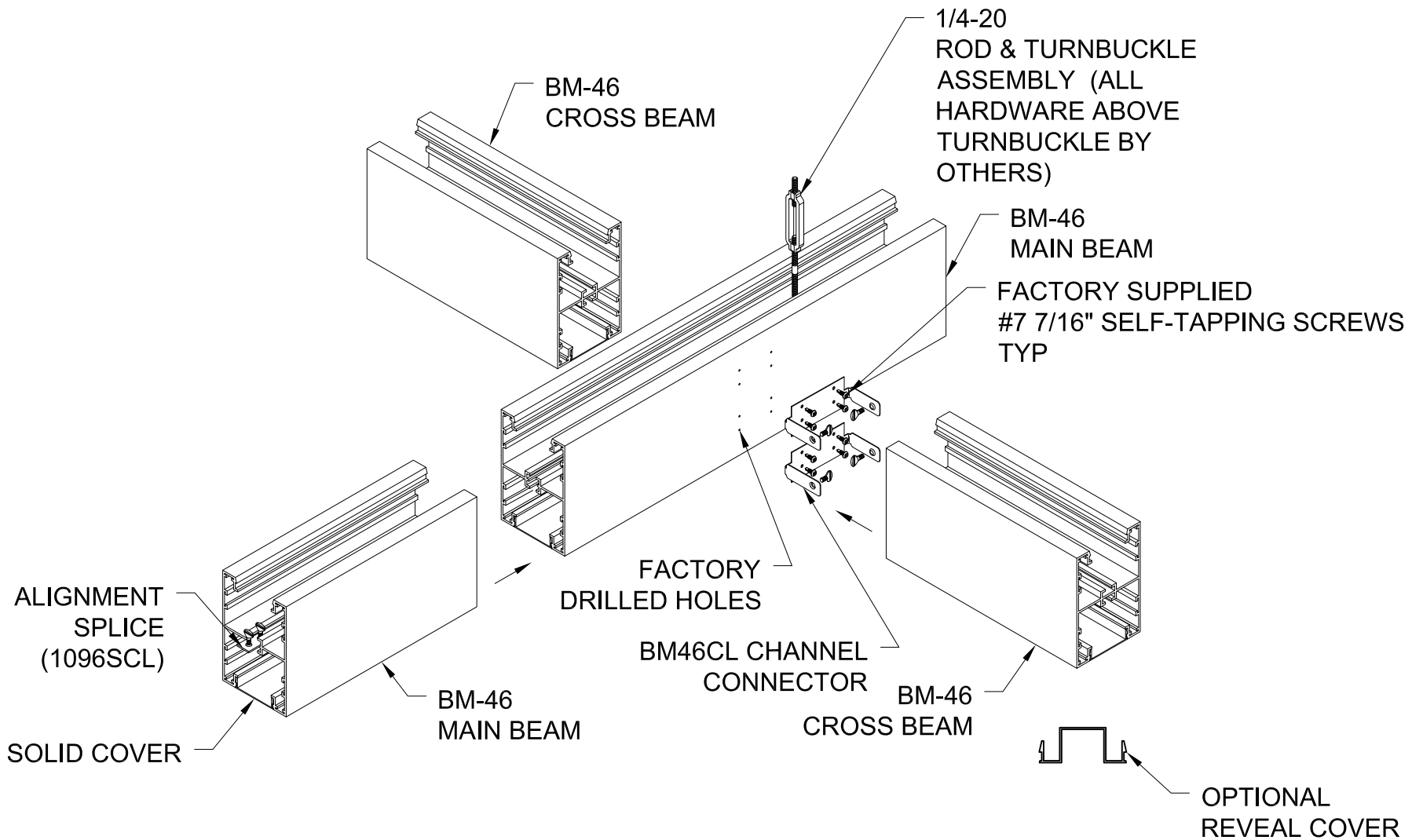


**GORDON**®  
ARCHITECTURAL+ENGINEERED SOLUTIONS

5023 Hazel Jones Rd.  
Bossier City, LA 71111  
800.747.8954  
GORDON-INC.COM  
sales@gordon-inc.com

CEILINGS  
OPEN CELL - BEAM MATE - EXTRUDED  
PROFILE BM-3X6

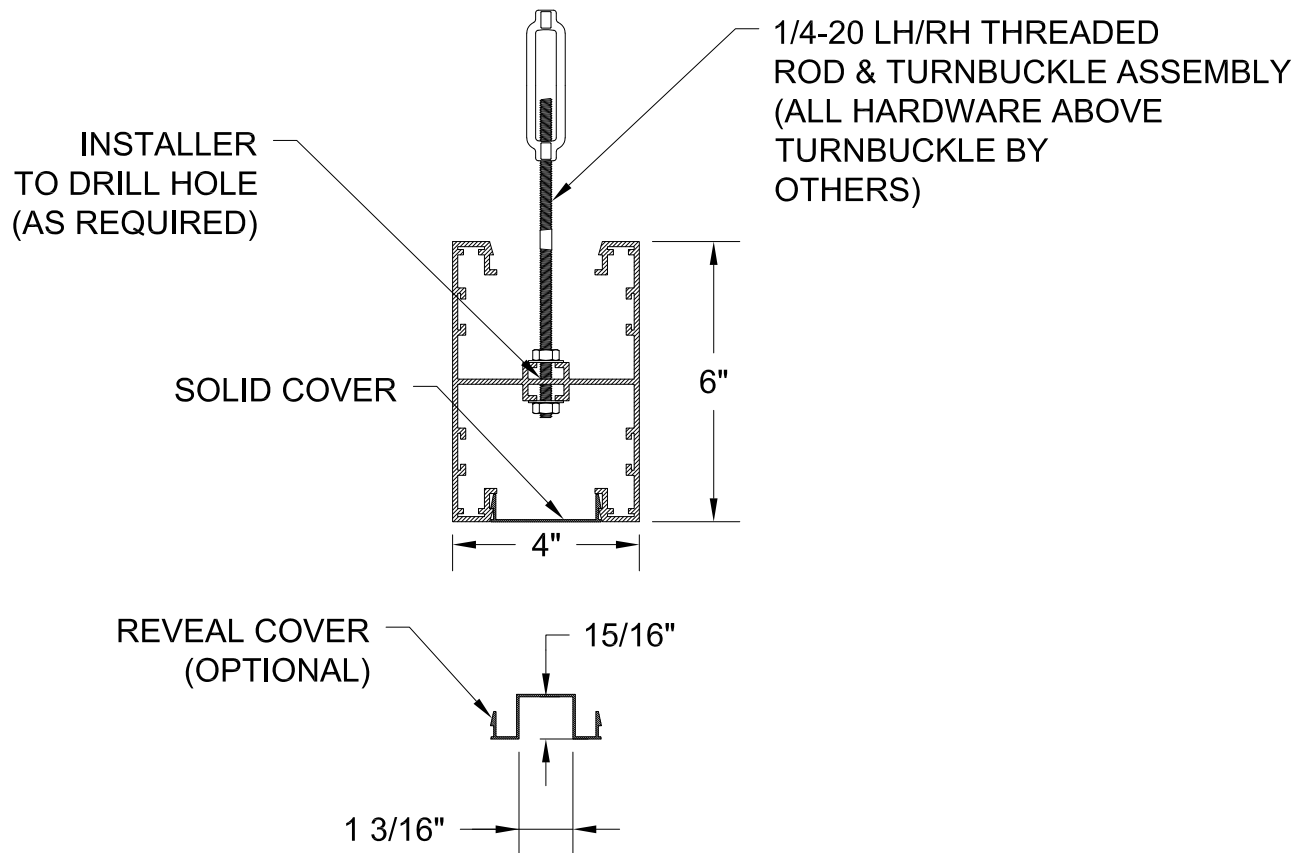




**GORDON**<sup>®</sup>  
 ARCHITECTURAL+ENGINEERED SOLUTIONS

5023 Hazel Jones Rd.  
 Bossier City, LA 71111  
 800.747.8954  
 GORDON-INC.COM  
 sales@gordon-inc.com

**CEILING**  
**OPEN CELL - BEAM MATE - EXTRUDED**  
**ISOMETRIC ASSEMBLY BM-46**



**GORDON**®  
ARCHITECTURAL+ENGINEERED SOLUTIONS

5023 Hazel Jones Rd.  
Bossier City, LA 71111  
800.747.8954  
GORDON-INC.COM  
sales@gordon-inc.com

CEILING  
OPEN CELL - BEAM MATE - EXTRUDED  
PROFILE BM-46